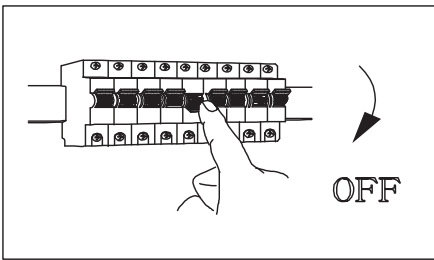


# GLOBO

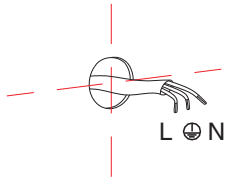
LIGHTING

[www.globo-lighting.com](http://www.globo-lighting.com)

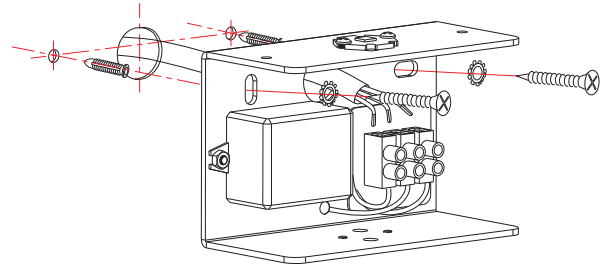
## 55010-W2



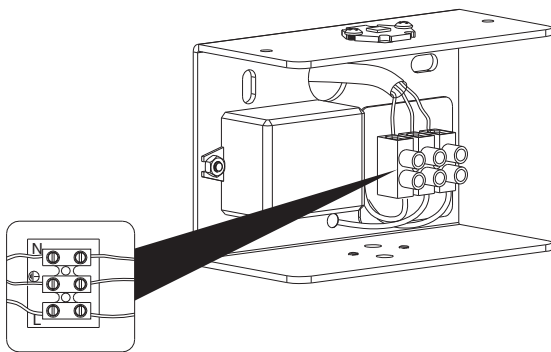
**A**



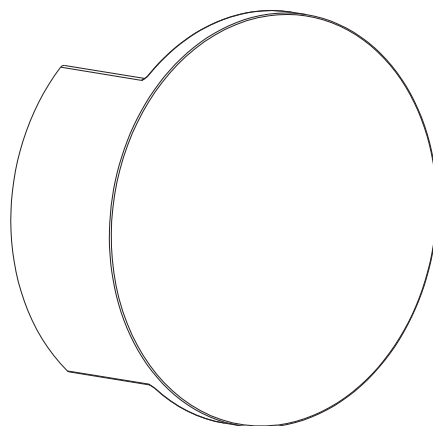
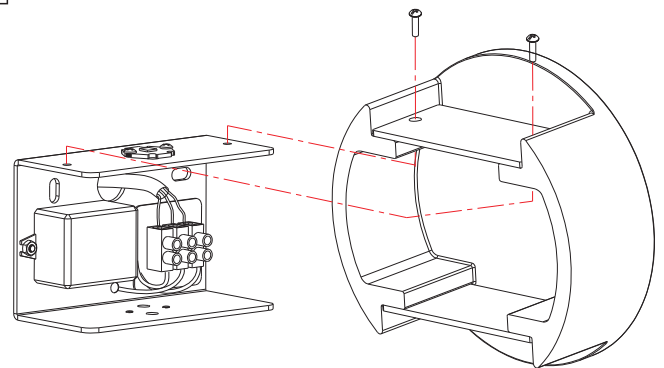
**B**



**C**



**D**



**GLOBO Handels GmbH**  
**Gewerbestr. 3**  
**A-9184 Sankt Peter**

